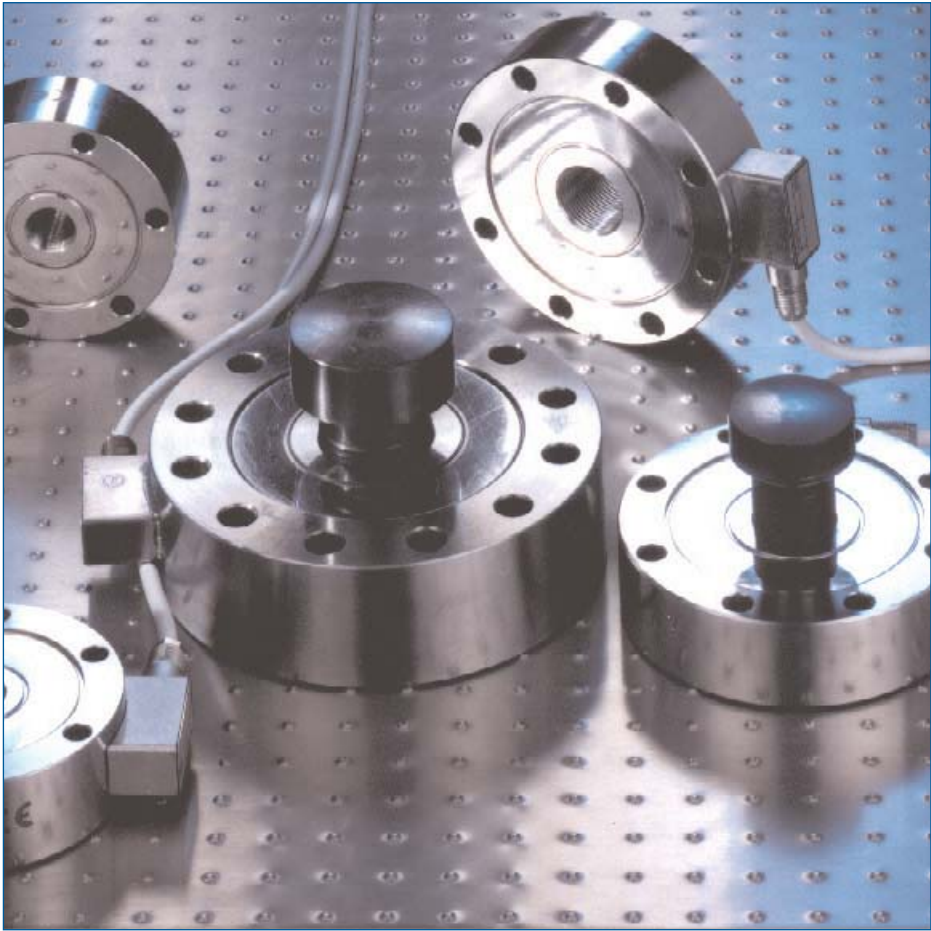


**Electric
Load Cells
Model 922**

Reliable



testing equipment for quality management



Simple

Fast

Precise

General

Electric load cells made by ERICHSEN reflect state of the art sensor technology. At the same time they are easy to use and capable of meeting a wide range of customer requirements. The measuring procedure is based on the elongation of high quality foil strain gauges.

Application

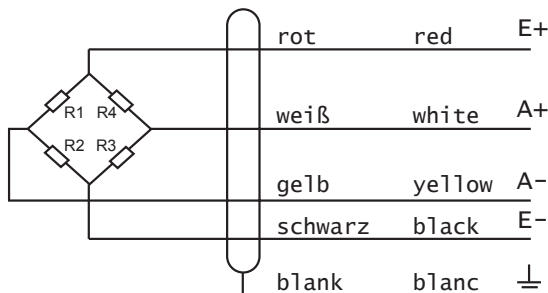
These force measuring devices are suitable for universal applications, namely wherever tensile and pressure forces need to be measured with a high degree of accuracy, e.g. in materials testing (Erichsen Tensile Testing Machines **UNIMAT®** and **UNIMAT® + UNICONTROL®**), in reference measuring equipment and in research and development. For industrial purposes too, these force transducers are ideal in the fields of automation, controlling press-in processes and in joining technology.

An extensive accessories program is available. A connection to the Measuring and Display Instruments **975 AP**, **980 AP** and **PHYSIMETER 906 MC** is also possible by means of an adapter plug.

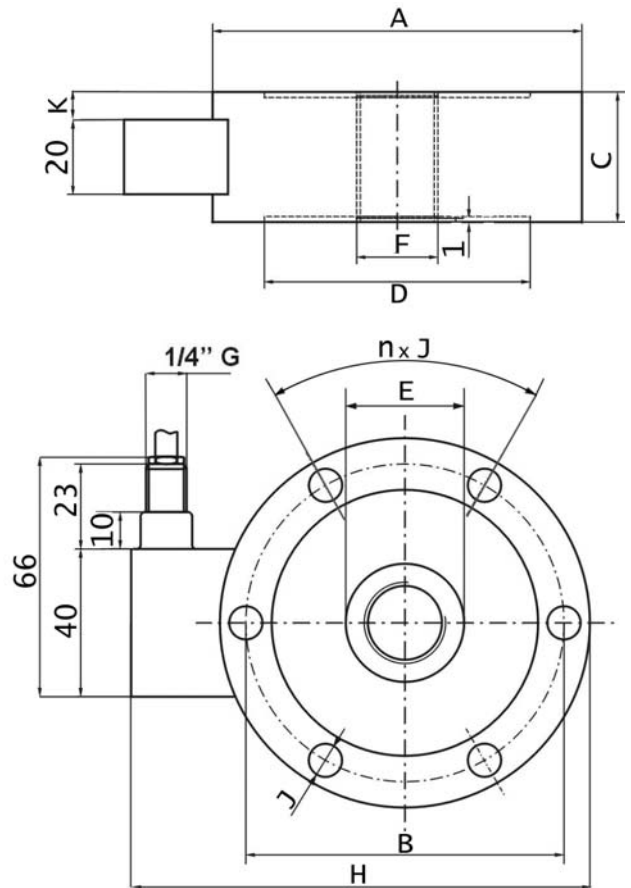
Technical Data

| | |
|--|---------------|
| Parameter: | 2 mV/V |
| Accuracy acc. to ISO 376 and EN 10002-3: | Class 1 |
| Reference temperature: | 21 °C |
| Nominal temperature range: | -10/+50 °C |
| Storage temperature range: | -50/+80 °C |
| Bridge resistance: | 700 Ω |
| Insulating resistance: | > 5 G Ω |
| Nominal range of supply voltage: | 5 - 10 V |
| Breaking load related to nominal force: | > 200 % |
| Max. allowable dynamic load (oscillation amplitude according to DIN 50100) related to nominal force: | < 70 % |
| Protection class: | IP 67 |
| Sensor material: | Special steel |

Terminal connecting plan



Load Cells 922



Dimensions in mm

| Nominal Force | A | B | C | D | E | F | n x J | H | K | f _n kHz |
|---------------|-----|-----|----|-----|----|---------|---------|-----|-----|--------------------|
| 5 kN | 100 | 86 | 35 | 72 | 32 | M20x1.5 | 6xØ9 | 124 | 7,5 | 2,3 |
| 10 kN | | | | | | | | | | 2,3 |
| 25 kN | | | | | | | | | | 4,8 |
| 50 kN | | | | | | | | | | 3,8 |
| 100 kN | 127 | 110 | 35 | 92 | 47 | M30x2 | 8xØ10,5 | 152 | 7,5 | 5,8 |
| 200 kN | | | | | | | | | | 5,7 |
| 300 kN | | | | | | | | | | 7,3 |
| 500 kN | 165 | 138 | 50 | 108 | 62 | M42x3 | 12xØ17 | 190 | 15 | 9,8 |
| 1000 kN | 230 | 185 | 80 | 147 | 96 | M60x3 | 12xØ25 | 254 | 30 | 18,2 |

Order Information

| Order No. | Product Description |
|------------|--|
| | Electric Load Cells 922 to measure tensile and pressure forces, open cable ends, cable length approx. 5m |
| 0589.01.32 | 922 - 5 kN |
| 0589.02.32 | 922 - 10 kN |
| 0589.10.32 | 922 - 25 kN |
| 0589.04.32 | 922 - 50 kN |
| 0589.05.32 | 922 - 100 kN |
| 0589.06.32 | 922 - 200 kN |
| 0589.07.32 | 922 - 300 kN |
| 0589.08.32 | 922 - 500 kN |
| 0589.09.32 | 922 - 1000 kN |

Subject to technical modification.
TBE 922 - XI/2003

**Accessories for
Electric Load Cells
Model 922**

Reliable

testing equipment for quality management

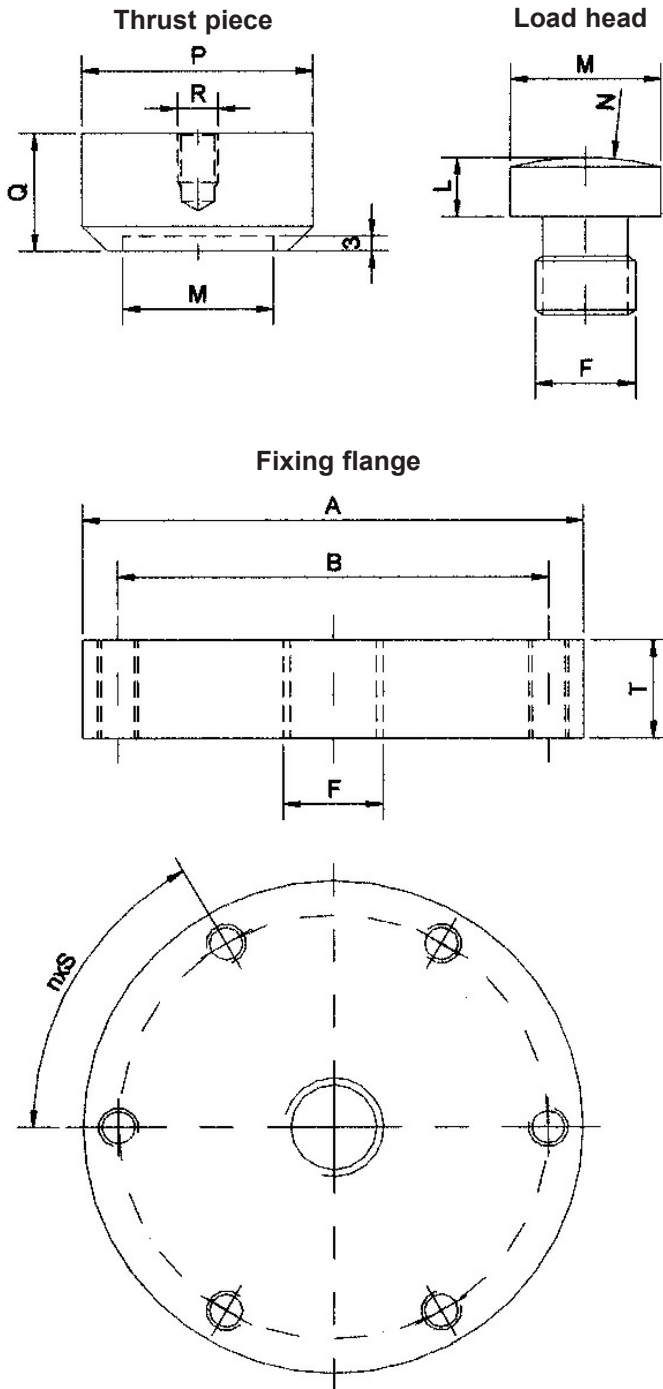
ERICHSEN

Simple

Fast

Precise

Accessories for Electric Load Cells 922



Dimensions in mm

| Nominal Force | A | B | F | L | M | N | P | Q | R | n x S | T |
|---------------|-----|-----|---------|----|----|------|-----|----|--------|--------|----|
| 5 kN | | | | | | | | | | | |
| 10 kN | 100 | 86 | M20x1.5 | 12 | 30 | R60 | 46 | 24 | M8x10 | 6xM8 | 35 |
| 25 kN | | | | | | | | | | | |
| 50 kN | 127 | 110 | M30x2 | 18 | 45 | R160 | 75 | 40 | M10x15 | 8xM10 | 35 |
| 100 kN | | | | | | | | | | | |
| 200 kN | | | | | | | | | | | |
| 300 kN | 165 | 138 | M42x3 | 27 | 60 | R300 | 90 | 50 | M10x15 | 12xM16 | 45 |
| 500 kN | | | | | | | | | | | |
| 1000 kN | 230 | 185 | M60x3 | 40 | 90 | R400 | 130 | 65 | M10x15 | 12xM24 | 65 |

| Accessories / Load Cells 922 | |
|------------------------------|-----------------------------------|
| Order No. | Product Description |
| | for Load Cells 922 (5 - 25 kN) |
| 0604.01.32 | Load head |
| 0605.01.32 | Thrust piece |
| 0606.01.32 | Fixing flange |
| | for Load Cells 922 (50 - 100 kN) |
| 0607.01.32 | Load head |
| 0608.01.32 | Thrust piece |
| 0609.01.32 | Fixing flange |
| | for Load Cells 922 (200 - 500 kN) |
| 0610.01.32 | Load head |
| 0611.01.32 | Thrust piece |
| 0612.01.32 | Fixing flange |
| | for Load Cells 922 (1000 kN) |
| 0613.01.32 | Load head |
| 0614.01.32 | Thrust piece |
| 0615.01.32 | Fixing flange |

| Accessories / Measuring and Display Instruments | |
|---|--|
| Order No. | Product Description |
| 0187.01.31 | Multi Measuring Device PHYSIMETER® 906 MC Display Instrument with Datalogger and statistic functions, incl. charging unit |
| 0629.01.32 | Extra charge for providing the load cell with a special plug for connection to the PHYSIMETER® 906 MC , including calibration |
| 0237.01.31 | Display instrument, Modell 975 AP for force measurement in connection with DMS force transducers, |
| 0237.02.31 | Display instrument, Modell 980 AP for force measurement in connection with DMS force transducers, with RS 232-interface, analogue and limit value output, optimization of characteristic curves, max. scanning rate of 250 Hz, incl. integrated mains supply |
| 0630.01.32 | Extra charge for providing the load cell with a special plug for connection to the Display Instruments 975 AP/980 AP , including calibration on the instrument |
| 0631.01.32 | Extra charge for providing the load cell with a special plug for connection to the control and evaluation unit UNICON TROL® , without calibration on site |

Subject to technical modification.
TBE 922/Accessories - XI/2003